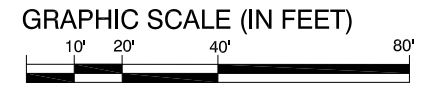


MATCH LINE A



**CITY OF OAKLAND**  
 DEPARTMENT OF TRANSPORTATION | SAFE STREETS DIVISION  
 BICYCLE & PEDESTRIAN PROGRAM  
 250 FRANK H. OGAWA PLAZA, SUITE 4314 • OAKLAND CA, 94612  
 (510) 238-3466 • FAX (510) 238-7415

**18TH ST COMPLETE STREETS PAVING  
 FROM MANDELA PKWY TO MARKET ST**

DRAFT PLANS  
 NOT FOR BID OR CONSTRUCTION

REVIEWED BY	No.	DATE	BY	REFERENCE
DESIGNED BY				
DRAWN BY				

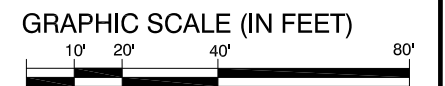
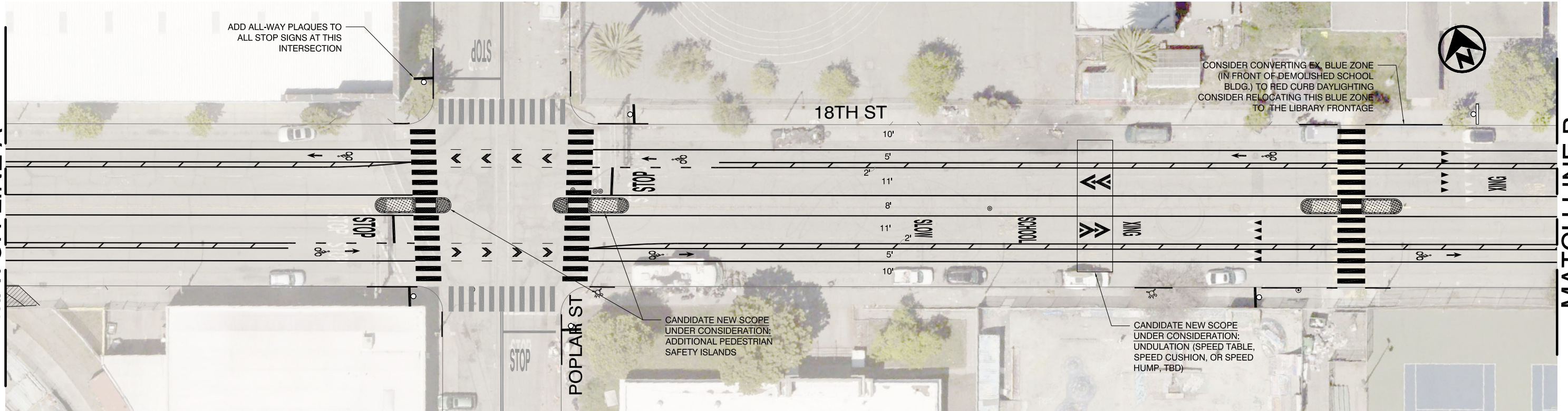
**TRANSPORTATION  
 IMPROVEMENT PLAN**

PROJECT NO. <b>TBD</b>	
SCALE: 1" = 40'	SHEET NO. <b>1 OF 7</b>
DATE: 3/30/2026	

DRAWING NAME: \\csdland\pww\Transportation\Bike-Ped\_Program\Projects\Bikeways-stiping\17thSt-18thSt\18thSt-WoodSB-BurnSt02-Design\18thSt-WoodSB-BurnSt.dwg  
 PLOT DATE: 03-30-2026  
 PLOTTED BY: penab9

MATCH LINE A

MATCH LINE B



**CITY OF OAKLAND**  
 DEPARTMENT OF TRANSPORTATION | SAFE STREETS DIVISION  
 BICYCLE & PEDESTRIAN PROGRAM  
 250 FRANK H. OGAWA PLAZA, SUITE 4314 \* OAKLAND CA, 94612  
 (510) 238-3466 \* FAX (510) 238-7415

**18TH ST COMPLETE STREETS PAVING  
 FROM MANDELA PKWY TO MARKET ST**

DRAFT PLANS  
 NOT FOR BID OR CONSTRUCTION

REVIEWED BY	No.	DATE	BY	REFERENCE
DESIGNED BY				
DRAWN BY				

**TRANSPORTATION  
 IMPROVEMENT PLAN**

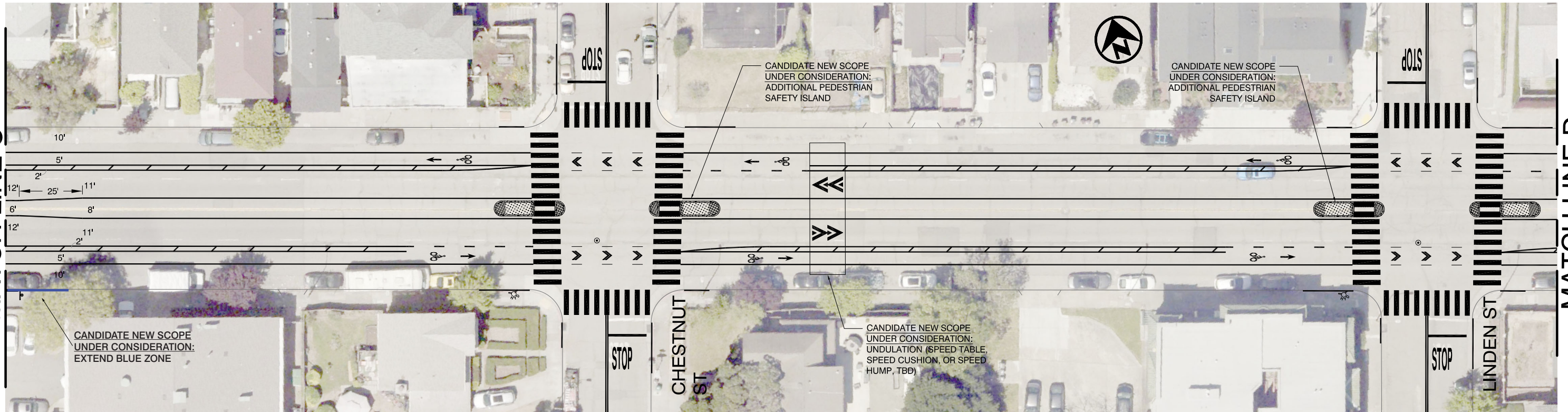
PROJECT NO. <b>TBD</b>	
SCALE: 1" = 40'	SHEET NO.
DATE: 3/30/2026	<b>2</b> OF <b>7</b>

DRAWING NAME: \\csdland\pwwork\Transportation\Bike-Ped\_Program\Projects\Bikeways-stiping\17thSt-18thSt\18thSt-WoodSB-EPlanS12-Design\18thSt-WoodSB-EPlanS12.dwg  
 PLOT DATE: 03/30/26  
 PLOTTED BY: pen98d



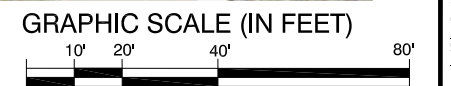
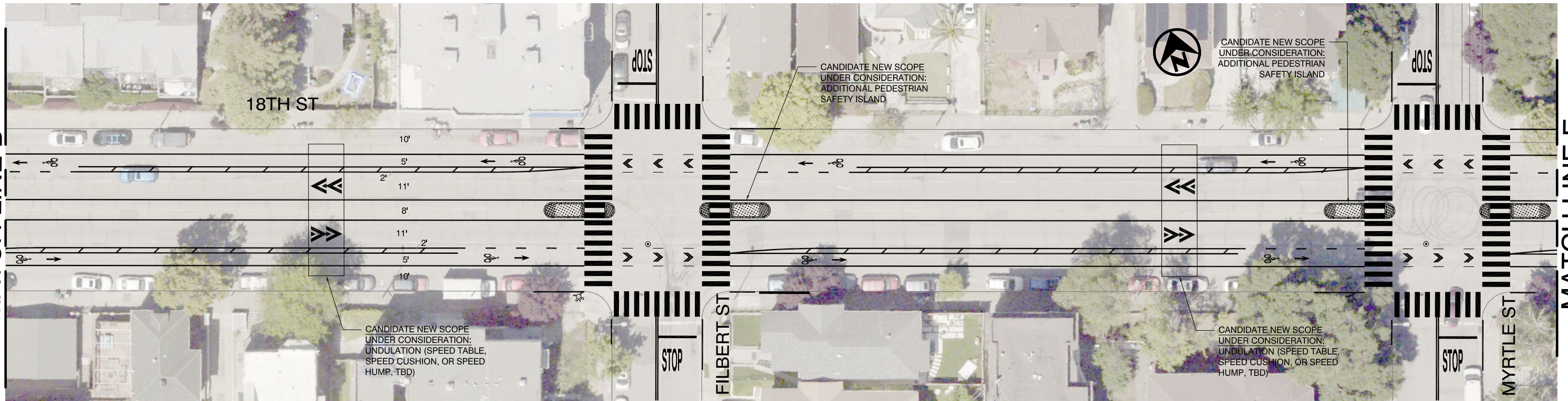
MATCH LINE C

MATCH LINE D



MATCH LINE D

MATCH LINE E



**CITY OF OAKLAND**  
 DEPARTMENT OF TRANSPORTATION | SAFE STREETS DIVISION  
 BICYCLE & PEDESTRIAN PROGRAM  
 250 FRANK H. OGAWA PLAZA, SUITE 4314 • OAKLAND CA, 94612  
 (510) 238-3466 • FAX (510) 238-7415

**18TH ST COMPLETE STREETS PAVING  
 FROM MANDELA PKWY TO MARKET ST**

DRAFT PLANS  
 NOT FOR BID OR CONSTRUCTION

REVIEWED BY	No.	DATE	BY	REFERENCE
DESIGNED BY				
DRAWN BY				

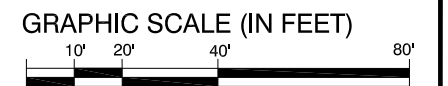
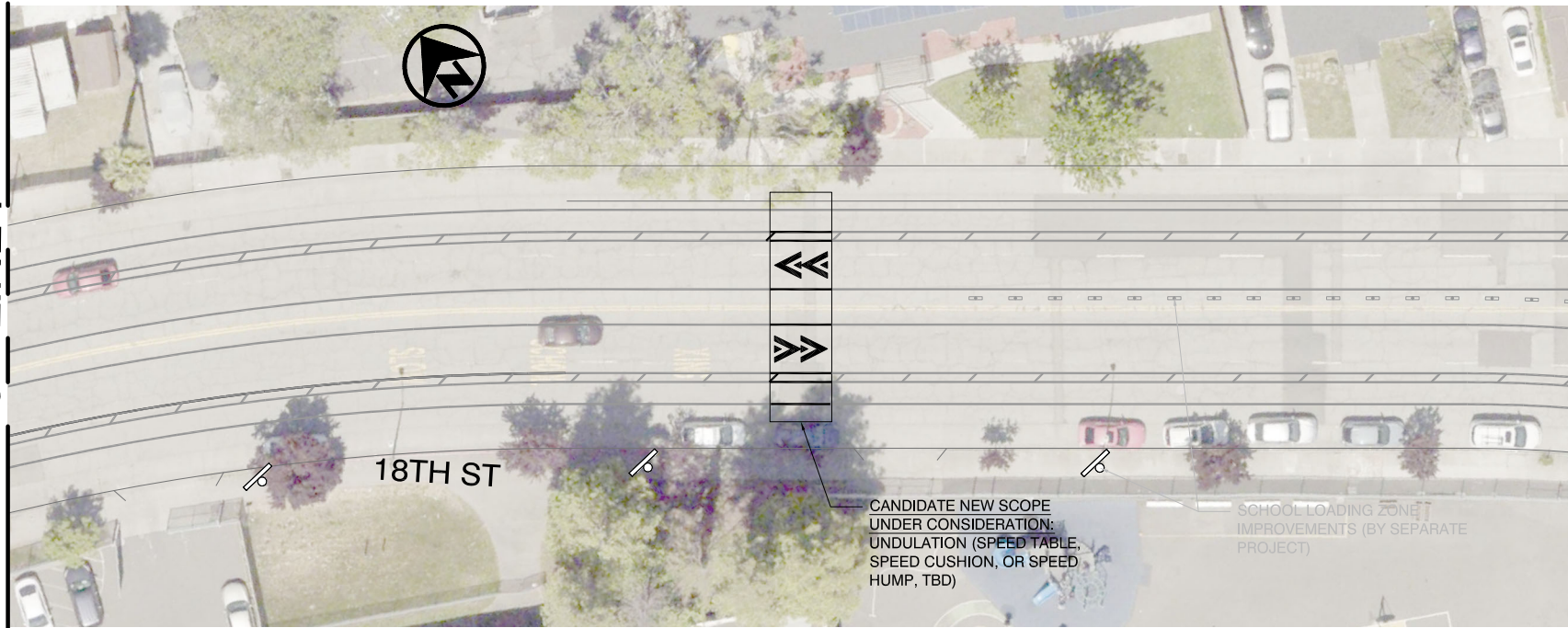
**TRANSPORTATION  
 IMPROVEMENT PLAN**

PROJECT NO. <b>TBD</b>	
SCALE: 1" = 40'	SHEET NO. <b>4</b> OF <b>7</b>
DATE: 3/30/2026	

DRAWING NAME: \\scland\dwg\Transportation\Bike-Ped\_Program\Projects\Bikeways-stippling\18thSt\18thSt\18thSt-WoodSB-BurnSt.dwg  
 PLOT DATE: 03/30/26  
 PLOTTED BY: pene89



MATCH LINE F



**CITY OF OAKLAND**  
 DEPARTMENT OF TRANSPORTATION | SAFE STREETS DIVISION  
 BICYCLE & PEDESTRIAN PROGRAM  
 250 FRANK H. OGAWA PLAZA, SUITE 4314 \* OAKLAND CA, 94612  
 (510) 238-3466 \* FAX (510) 238-7415

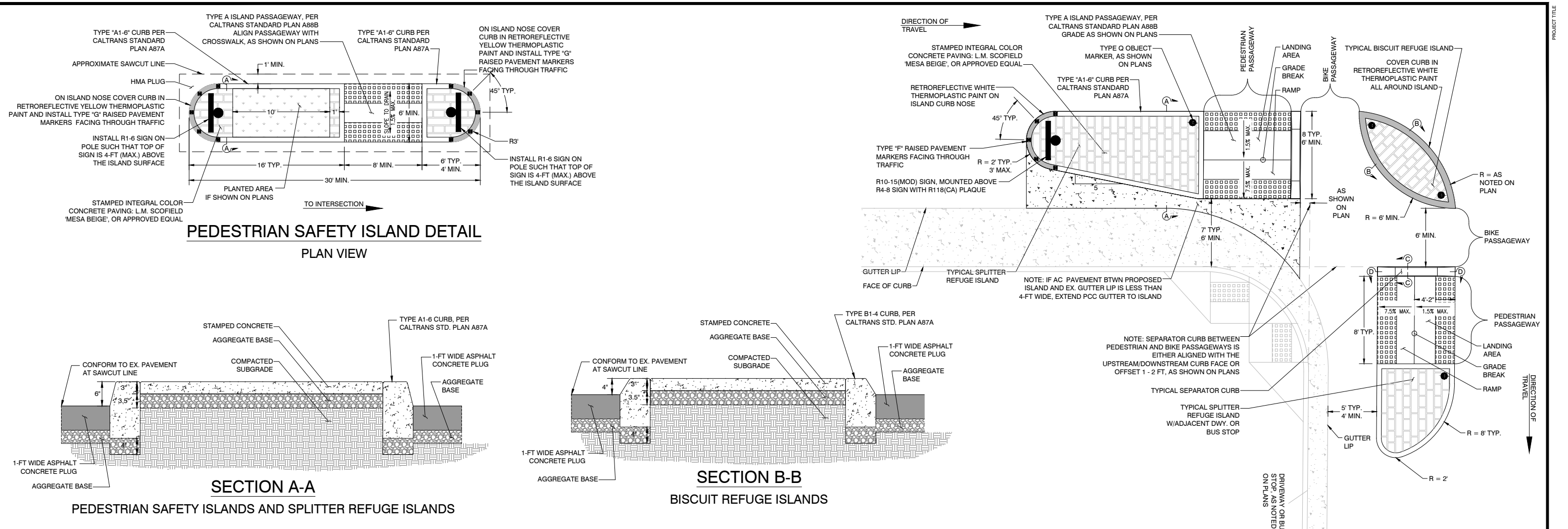
**18TH ST COMPLETE STREETS PAVING  
 FROM MANDELA PKWY TO MARKET ST**

DRAFT PLANS  
 NOT FOR BID OR CONSTRUCTION

REVIEWED BY	No.	DATE	BY	REFERENCE
DESIGNED BY				
DRAWN BY				

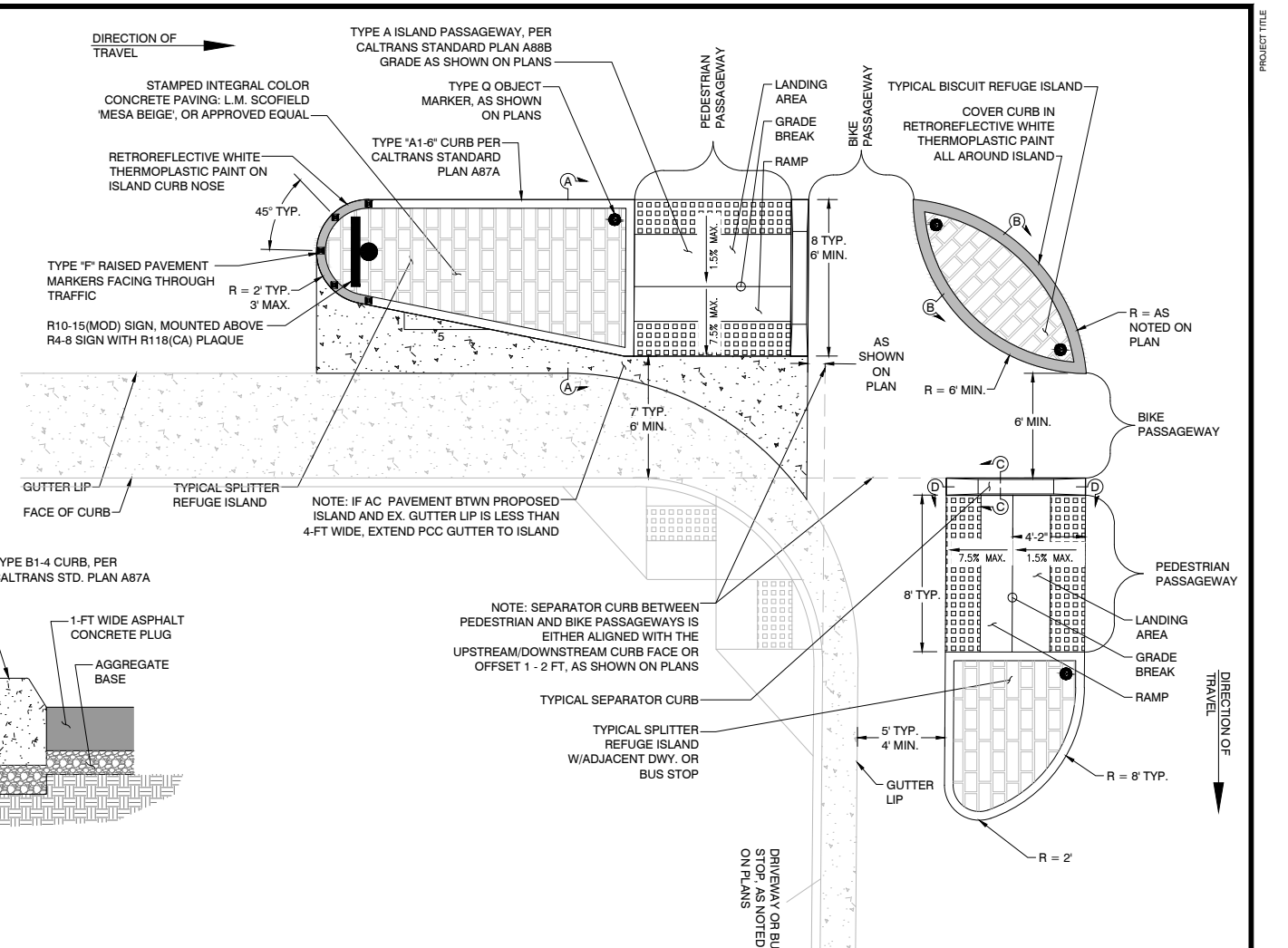
**TRANSPORTATION  
 IMPROVEMENT PLAN**

PROJECT NO. <b>TBD</b>	
SCALE: 1" = 40'	SHEET NO.
DATE: 3/30/2026	<b>6</b> OF <b>7</b>



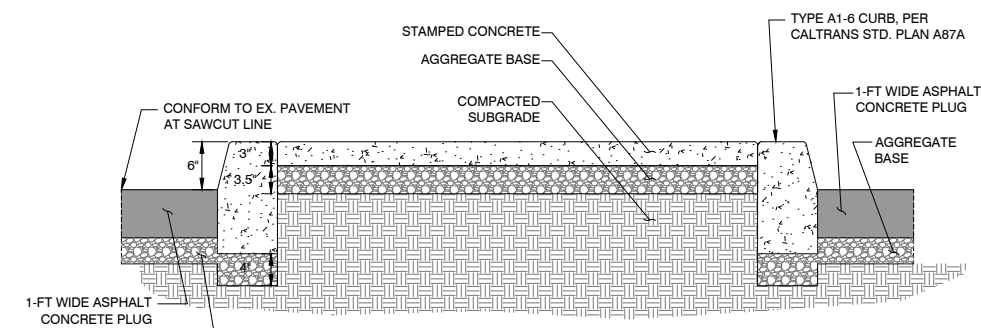
**PEDESTRIAN SAFETY ISLAND DETAIL**

PLAN VIEW



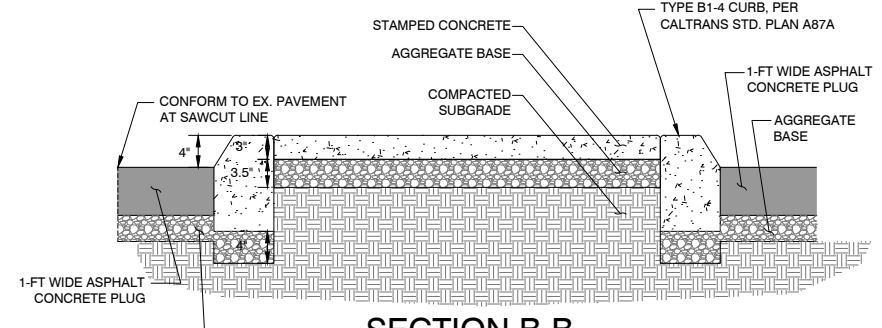
**PROTECTED INTERSECTION ISLAND DETAIL**

PLAN VIEW



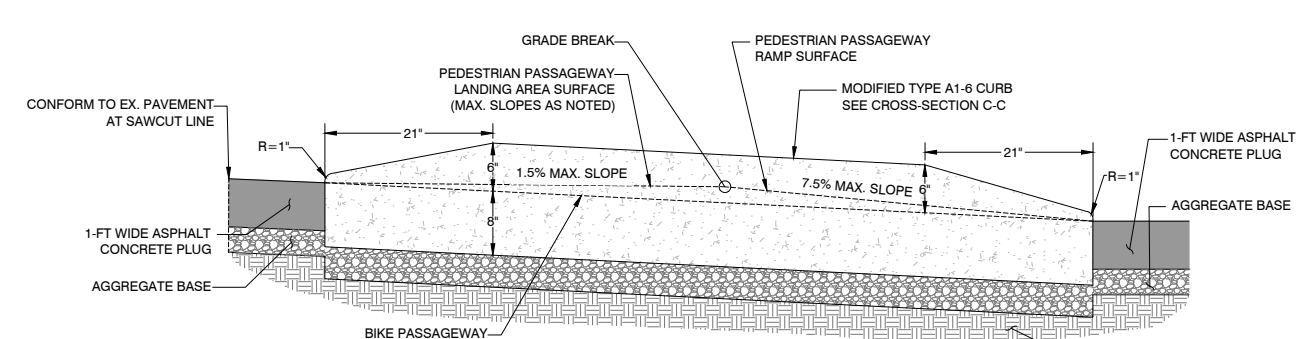
**SECTION A-A**

PEDESTRIAN SAFETY ISLANDS AND SPLITTER REFUGE ISLANDS



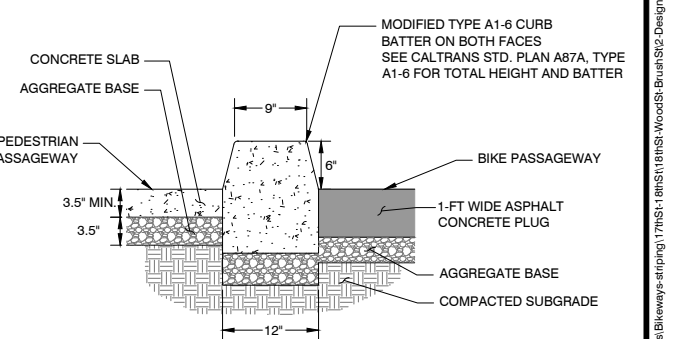
**SECTION B-B**

BISCUIT REFUGE ISLANDS



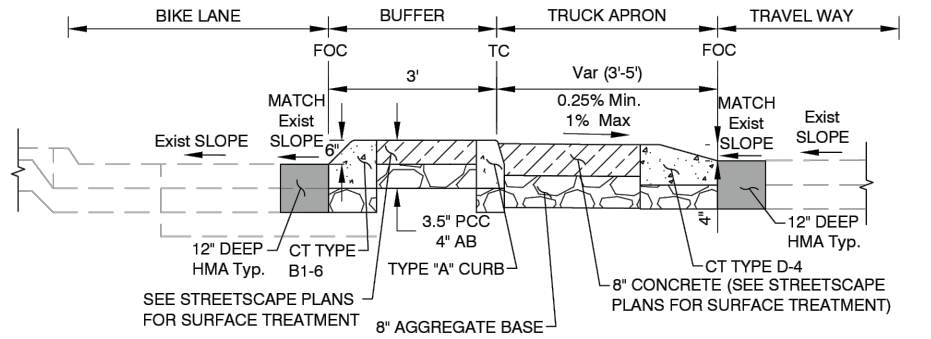
**SECTION D-D**

MODIFIED 6-IN HIGH CURB



**SECTION C-C**

MODIFIED 6-IN HIGH CURB



**SEPARATION ISLAND WITH MOUNTABLE FIRE APPARATUS APRON DETAIL**



**CITY OF OAKLAND**  
 DEPARTMENT OF TRANSPORTATION | SAFE STREETS DIVISION  
 BICYCLE & PEDESTRIAN PROGRAM  
 250 FRANK H. OGAWA PLAZA, SUITE 4314 \* OAKLAND CA, 94612  
 (510) 238-3466 \* FAX (510) 239-7415

**18TH ST COMPLETE STREETS PAVING**

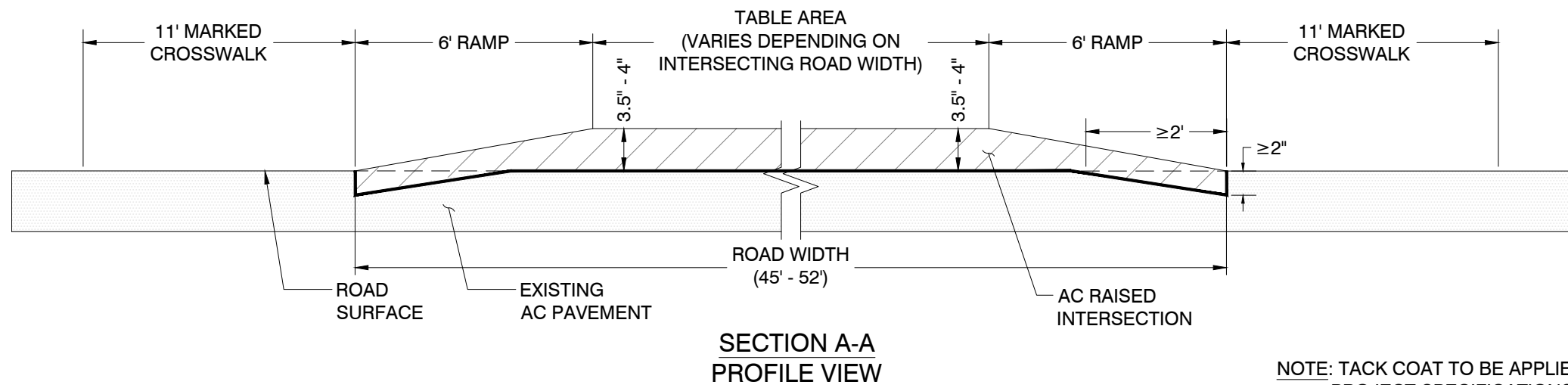
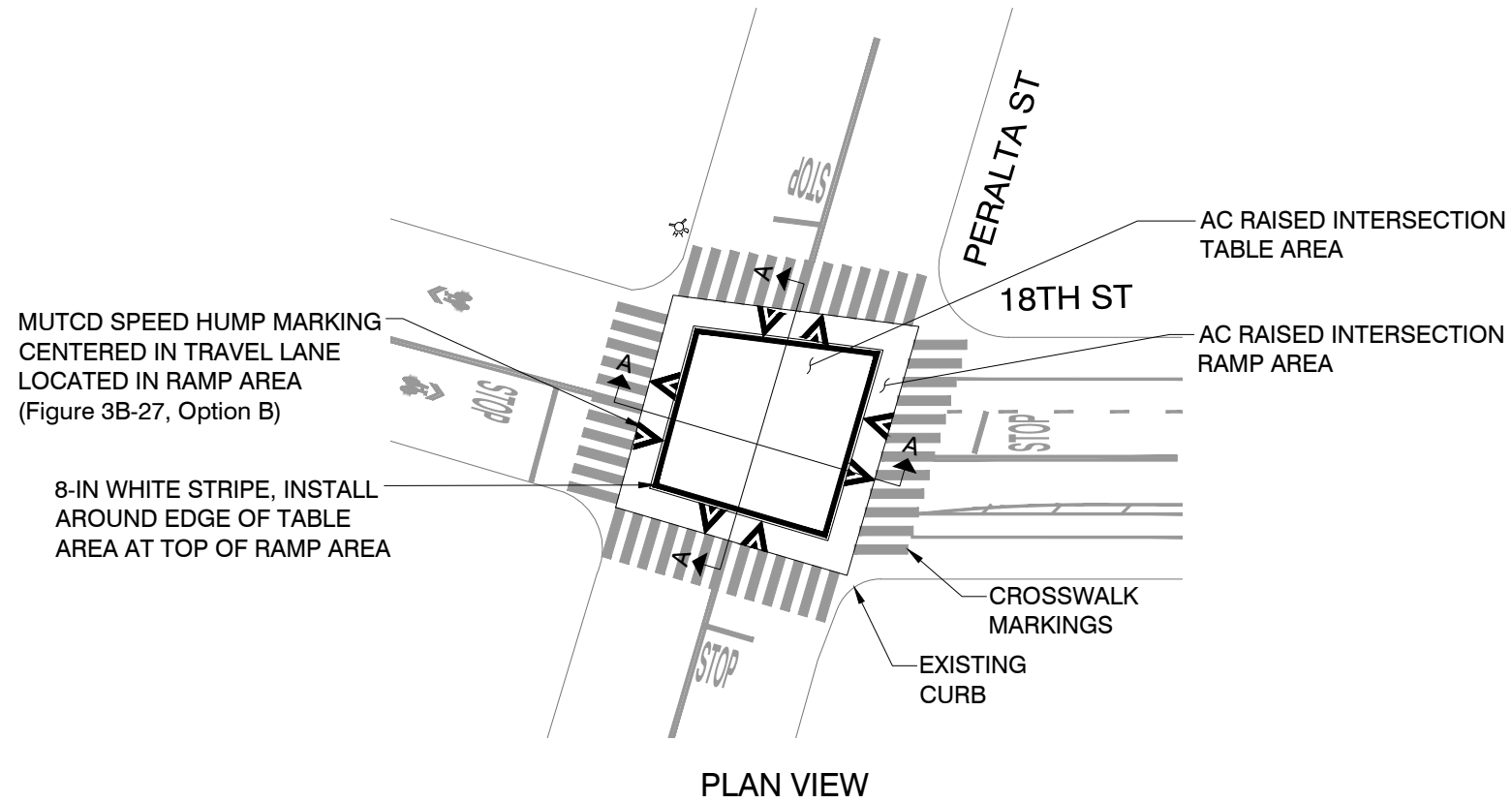
DRAFT PLANS  
 NOT FOR BID OR CONSTRUCTION

REVIEWED BY	No.	DATE	BY	REFERENCE
DESIGNED BY				
DRAWN BY				

**TYPICAL TRAFFIC ISLAND DETAILS**

PROJECT NO. <b>TBD</b>	
SCALE: NTS	SHEET NO.
DATE: 3/30/2026	7 OF 7

PROJECT TITLE: 18TH ST COMPLETE STREETS PAVING  
 DRAWING NAME: \\oakland\pva\Transportation\Bike-Ped\_Program\Projects\Bike-Ped\18thSt-18thSt-18thSt-WoodSt-BrustSt-Design\18thSt\_Details.dwg  
 PLOT DATE: 03-30-26  
 PLOTTED BY: panned



NOTE: TACK COAT TO BE APPLIED PER PROJECT SPECIFICATIONS

**AC RAISED INTERSECTION DETAIL**



**CITY OF OAKLAND**

DEPARTMENT OF TRANSPORTATION | SAFE STREETS DIVISION  
BICYCLE & PEDESTRIAN PROGRAM  
250 FRANK H. OGAWA PLAZA, SUITE 4314 \* OAKLAND CA, 94612  
(510) 238-3466 \* FAX (510) 239-7415

18TH ST COMPLETE STREETS PAVING

DRAFT PLANS  
NOT FOR BID OR CONSTRUCTION

REVIEWED BY

DESIGNED BY

DRAWN BY

No.	DATE	BY	REFERENCE

**EXHIBIT: RAISED INTERSECTION UNDULATION**  
**18TH ST & PERALTA ST**

PROJECT NO.  
**TBD**

SCALE: NTS SHEET NO.

DATE: 3/30/2026 **1** OF **1**

DRAWING NAME: \\oakland\pwa\Transportation\Bike-Ped\_Program\Projects\Bikeways-stripping\17thSt-18thSt-WoodSt-BrustSt-Design\18thSt\_Details.dwg  
PLOT DATE: 03-30-26  
PLOTTED BY: pwa